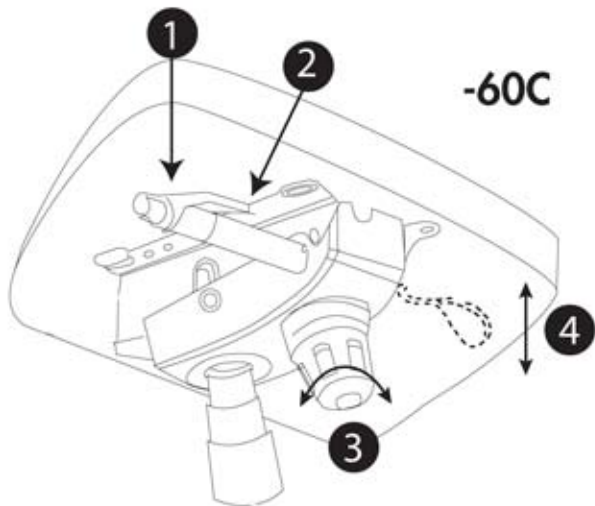


Syncro Control

-60C



Weight Capacity 300 lbs.

Adjustments described from seated position

- 1 Push button lock** - 5 position back lock. Tilt the seat back to desired angle. Push and release button to lock. To unlock back, push in and release button and lean back for 2:1 ratio syncro movement.
- 2 Seat Height Adjustment** - Height adjustment lever.
- 3 Tension Adjustment** - When in a seated position, rotate knob clockwise to increase tension. Rotate counter-clockwise to decrease tension.
- 4 Seat Slider** - Shown above is optional. Pull lever up to adjust seat slide forward, or back. Release to lock seat slide in position.