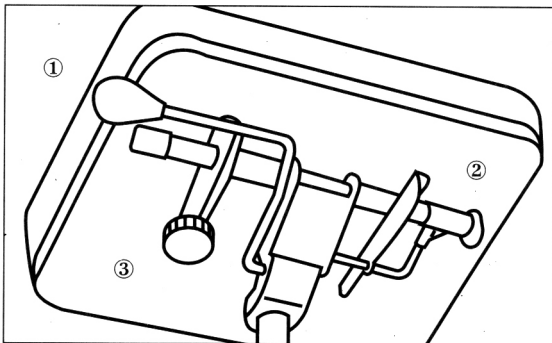


VIA Executive Seating Adjustments

All references to left or right are from a seated position in the chair.

Heathrow Control

Shipped standard with all 8800 series models



① **Pneumatic Height Adjustment** - (Located on the right side, just below the seat cushion). To raise the chair; lift your weight from the chair and lift the lever. To lower the chair; while seated - lift the lever upward, lower to desired height. Release lever to lock the chair at the desired height.

② **Tilt Lock** - (Located on the left side, just below the seat cushion). To lock the chair in an upright position, shift your weight forward until the chair is in an upright position, then push in plunger. To rock (freefloat) shift your weight forward and pull plunger out, lean back and relax.

③ **Tilt Tension Adjustment Knob** - (Located on the right side of the seat cushion, behind height adjustment lever). While seated, rotate the adjustment knob to the right to increase tilt tension. Rotate to the left to decrease tilt tension.