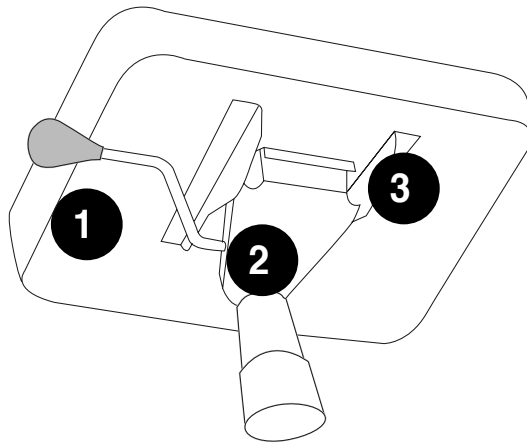


## -20C Basic Swivel Control



**1 Pneumatic Height Adjustment** - (Located on the right side, just below the seat cushion). To raise the chair, lift your weight from the chair and lift the lever. To lower the chair, while seated, lift the lever upward, lower to desired height. Release lever to lock the chair at the desired height.

**2 360 Swivel**

**3 Weight Capacity** - 300 lbs.