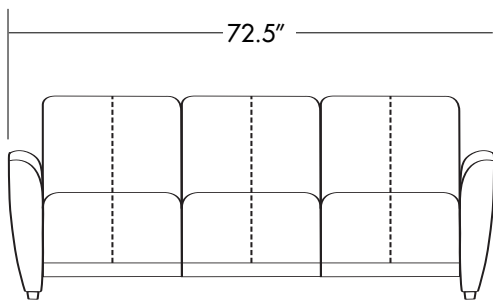
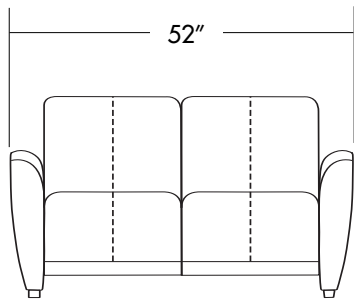
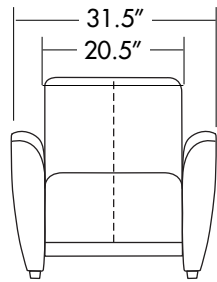
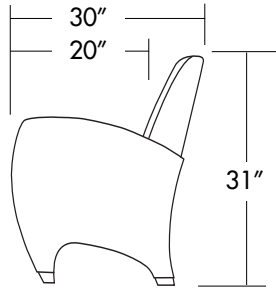




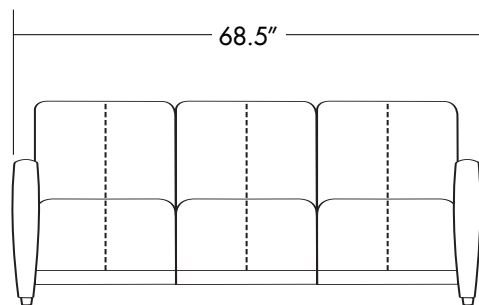
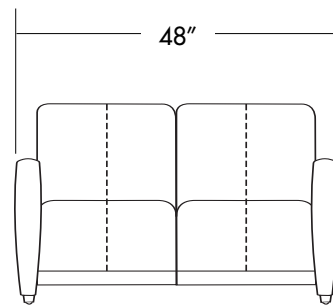
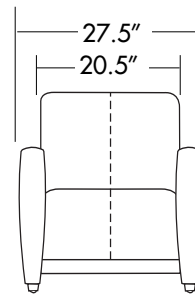
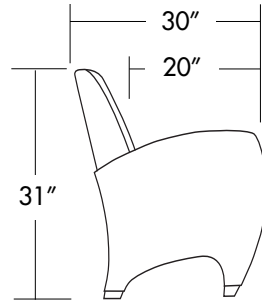
S I E N N A



SIENNA WITH CLUB ARM



SIENNA WITH UNIVERSAL ARM





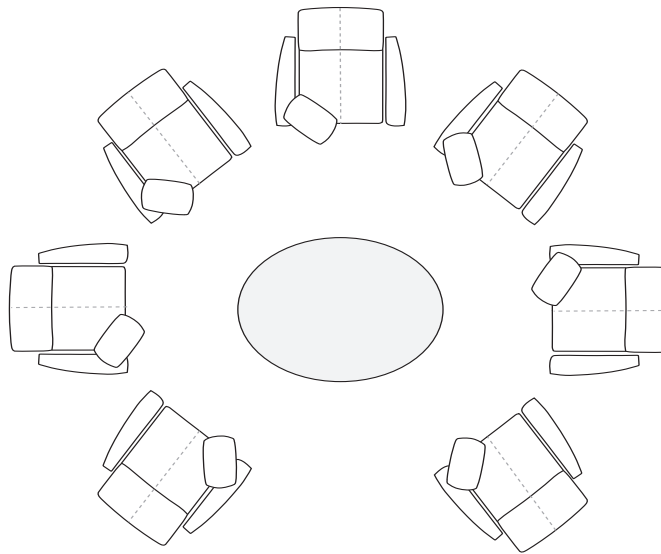
M O D U L A R S O L U T I O N S



95USSUSUTM-9MF

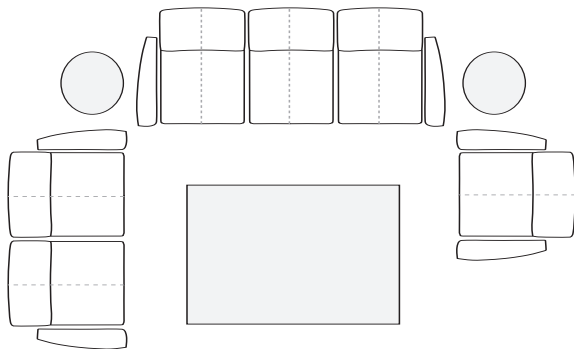
EXECUTIVE SEATING SOLUTIONS

Using The Sienna Club Arm



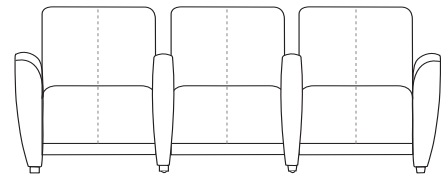
Executive Conference Seating

Using Club Arms with Left and Right Hand Tablet Arm

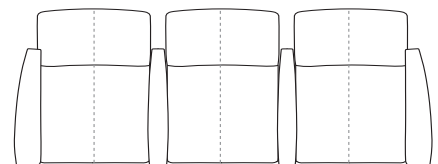


Standard Configurations for Lobby Seating
Using Club Arms

Front View:



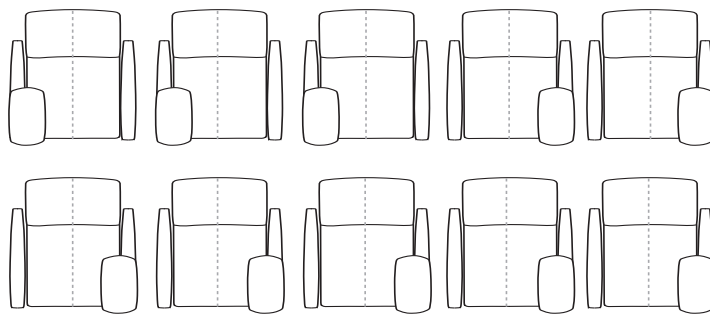
Top View:



Modular Seating
Using Club and Universal Arms

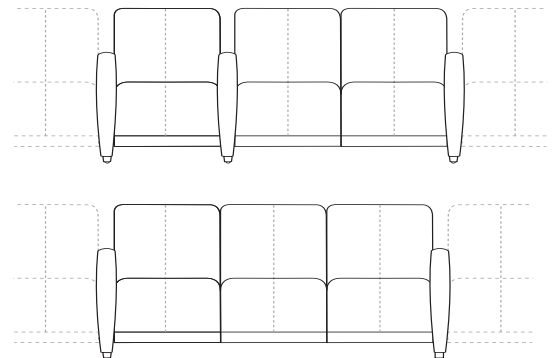
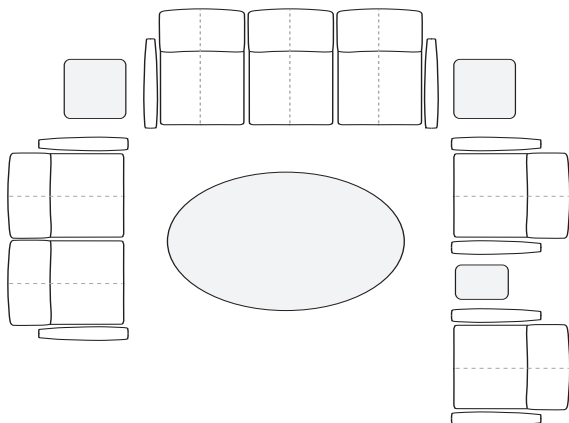
INSTITUTIONAL SEATING SOLUTIONS

Using The Sienna Universal Arm



Institutional, Class Room and Library Seating

Using Universal Arms with Left and Right Hand Tablet Arm



Standard Configurations for Lobby Seating
Using Universal Arms

Multiple Seating Solutions
Using Universal Arms with Seat and Backs

S I E N N A

Unique Seating Solutions For:

Executive Offices, Conferencing, Lobby, Public Areas, Classrooms, Libraries, Universities, and Hospitals

Standard Configuration

Select from 1 - Seat, 2 - Seat, 3 - Seat Models and Two Arm Styles: (Club and Universal)

Modular Configuration

Create Your Own Seating Solution From Sienna Modular Components Using Both Club and Universal Arm Styles Separately or in Combination.

Versatility and Durability

Designed From Molded Foam with Steel Inner Frame.

Foam and Structural Components are Warranted for Life. All Components are Designed to be Field Replaceable and can be Added to or Reconfigured on Site as Needed.

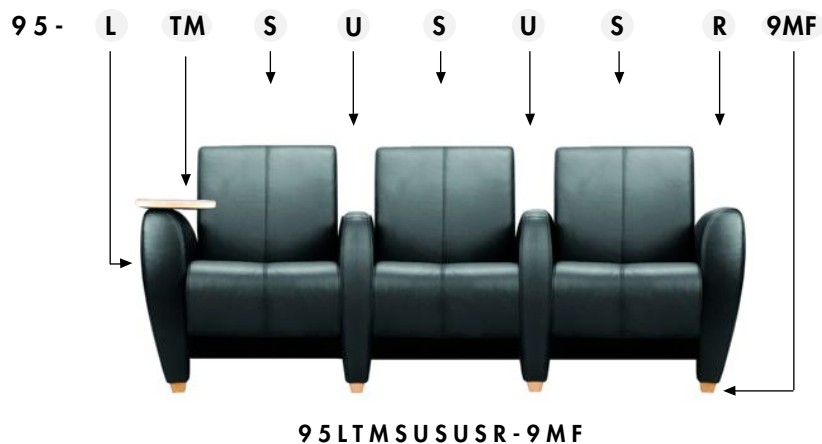
Available Options

Tablet Arms Left and Right, are Available on all Club and Universal Arms
Standard Tablet Top Finish – Black. Optional Finishes: Natural Maple, or Custom Finish

Specifying Legend

(Facing the Sienna, Specify From Left to Right.)

(95) is the Model Number; (R) Right Club Arm; (L) Left Club Arm; (TB) Tablet Arm-Black (Standard) or (TM) Tablet Arm-Maple Finish; (S) Seat and Back; (U) Universal Arm; (9BF) Black Feet (Standard); (9MF) Natural Maple Feet; or (9CSF) Custom Stain Feet



EVERY CHAIR, EVERY OPTION, EVERY FABRIC, EVERY LEATHER, READY IN 48 HOURS

205 VISTA BLVD. SPARKS, NV 89434

T 800.433.6614 • F 800.833.9094
www.viaseating.com • custserv@viaseating.com

ALL IMAGES IN THIS BROCHURE ARE AVAILABLE FOR DOWNLOAD AT WWW.VIASEATING.COM